

ASP Truck AERIAL SPLICING PICKUP



INTERIOR
HEIGHT
6'2"

THREE PROVEN CONCEPTS IN ONE!



RETURN ON INVESTMENT

- Lower acquisition price of total package
- Transferrable to new pickup in days
- Reduced transfer price
- Original equipment used on 2 or 3 pickups
- Higher trade value for pickup

DESIGN

- Heavy duty pickup
- Self-contained equipment package
- DC powered aerial charged by generator - std
- Security on the job
- Equipment transfer designed into package

ENVIRONMENTALLY RESPONSIBLE

- No truck engine idle - std
- Echo throttle generator
- Reduced fuel consumption
- Reduced noise pollution
- CARB Compliant



ASPTRUCK.COM

888-765-3322
821 Enterprise, Hewitt, TEXAS 76643

PICKUP REQUIREMENTS

Make	Ford F350
Pickup GVWR*	14,000lbs
Front Axle GAWR*	4,100lbs
Rear Axle GAWR*	9,500lbs
Approx Weight of Stability	10,460 lbs
Bed Length	8 ft
Dual Rear Wheels	

*Based on minimum specifications

POWER SOURCE

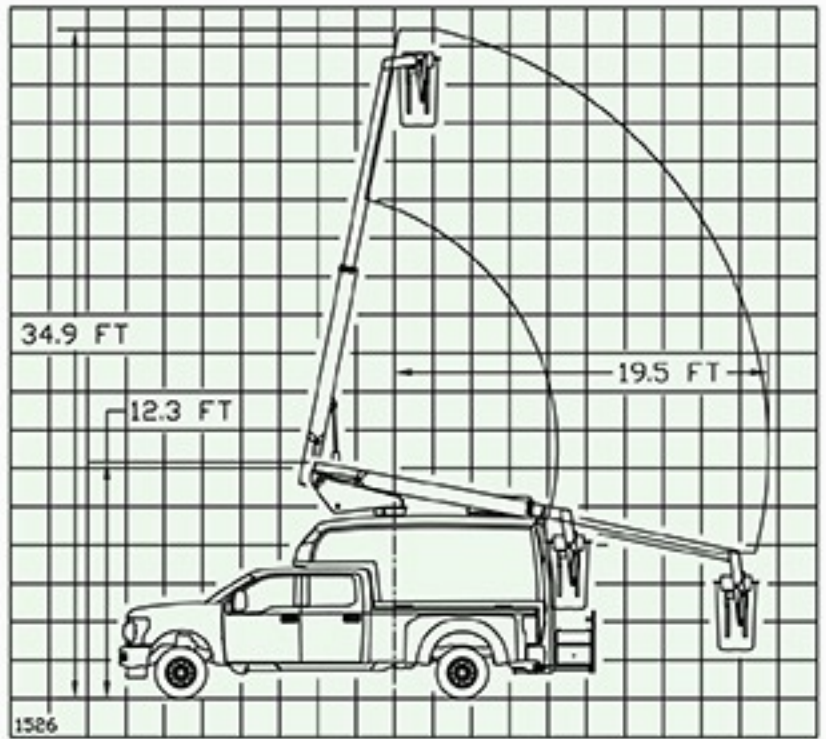
Self Contained
Eco Throttle
Long Run Times
Electric Start
Fuel Injected
12V 30A

COMPOSITE TRUCK BODY

Interior Body Height 6 ft 2 in (1.8 m)
One-Piece Unibody Capsule
Stainless Steel Hardware and Water Management System
Cargo Space of 375 cu/ft of Usable Space
Full-Service Mobile Workshop w/Walk-In Height
Lightweight Strong Composite Material
Aerodynamic Design
Universal Fit into All Pickup Trucks
60/40 Rear Doors
10 Year Limited Warranty

AERIAL SPECIFICATIONS

Horizontal Side Reach 19 ft 6 in (5.9 m)
Height Bottom Basket* 29 ft 10 in (9.0 m)
Working Height* 34 ft 10 in (10.6 m)
Stowed Height* 12 ft 2 in (3.7 m)
Standard Basket Capacity 350 lbs (159 kg)
540 Degree Rotation
24 VDC Powered Aerial - std.
Engine Driven Pump - opt.
Electric Tool Outlet at Basket
Emergency Lower 12 VDC
Proportional Upper Controls w/ Single Handle Actuator
Side Mounted Walk-Thru Basket w/ Door
Lightweight Aluminum Inner Boom
Hydraulic Leveling Basket
Pedestal Riser Houses Hydraulic Reservoir and Batteries
UTLN35A meets and exceeds ANSI A92.9-2015 and OSHA Requirements
*Based on a 35 in (0.89m) pickup bed height



THIS DOCUMENT



ASPTRUCK.COM



ASPTRUCK.COM

888-765-3322

821 Enterprise, Hewitt, TEXAS 76643