

ASP truck

UTLI35 INSULATED

UTLN35 NON-INSULATED

AERIAL SPLICING TRUCK



Working Height **34 ft 10 in (10.6m)***

Horizontal Reach **19 ft 6 in (5.9 m)***

Basket Capacity **350 lbs (159kg)**

Interior Height **6'2"**

* dimensions vary according to model number and options

THREE PROVEN CONCEPTS IN ONE!

START SPLICING FASTER ON THE JOB!



3



All-in-One Solution
Compact Footprint
Maneuverable in Tight Spaces
Quick Set-Up Time
Security on the Job
Self-Contained Equipment Package
Heavy-Duty Design

HONDA
GENERATORS



1-888-765-3322



Utility Truck Equipment Co, L.L.C.

901 Enterprise Blvd

Hewitt, Texas 76643

Phone: 254-857-8204 Fax: 254-857-9253

www.UTECEquip.com

ASP truck

UTLI35

UTLN35

INSULATED

NON-INSULATED

AERIAL SPLICING TRUCK

PICKUP REQUIREMENTS

Make / Model	FORD/ F350
Pickup GVWR*	14,000lbs
Front Axle GAWR*	4,100lbs
Rear Axle GAWR*	9,500lbs
Approx Weight of Stability	10,460 lbs
Bed Length	8 ft
Dual Rear Wheels	

(Based on minimum specifications)

POWER SOURCE

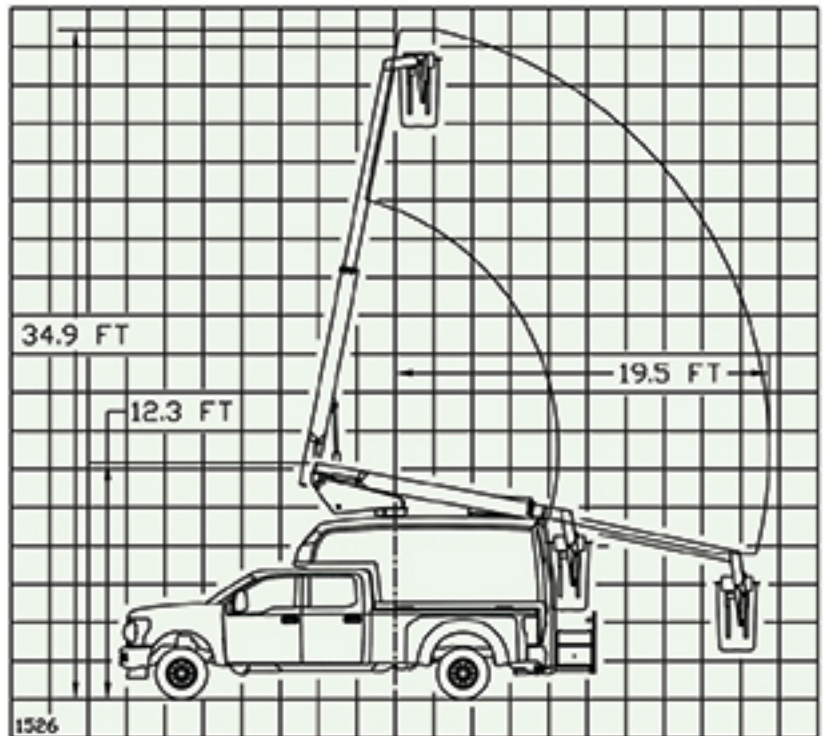
Honda EU7000is
Eco Throttle
Long Run Times
Electric Start
3 Year Warranty

COMPOSITE TRUCK BODY

Interior Body Height 6 ft 2 in (1.8 m)
One-Piece Unibody Capsule
Stainless Steel Hardware
Cargo Space of 375 cu/ft of Usable Space
Full-Service Mobile Workshop w/Walk-In Height
Lightweight Strong Composite Material
Aerodynamic Design
60/40 Rear Doors
10 Year Limited Warranty

AERIAL SPECIFICATIONS

Horizontal Side Reach 19 ft 6 in (5.9 m)
Height Bottom Basket* 29 ft 10 in (9.0 m)
Working Height* 34 ft 10 in (10.6 m)
Stowed Height* 12 ft 2 in (3.7 m)
Standard Basket Capacity 350 lbs (159 kg)
12 Months Warranty



AERIAL SPECIFICATIONS (Cont.)

540 Degree Rotation
Engine Driven Clutch Pump - std.
24 VDC Powered Aerial - opt.
Proportional Upper Controls w/ Single Handle Actuator
Emergency Lower 12 VDC
Side Mounted Walk-Thru Basket w/ Door
Hydraulic Leveling Basket
Electric Tool Outlet at Basket (UTLN)
Pedestal Riser Houses Hydraulic Reservoir and Batteries

UTLN35A meets and exceeds ANSI A92.2-2021 and OSHA Requirements

*Based on a 35in frame height



1-888-765-3322



Utility Truck Equipment C6 L.L.C.
901 Enterprise Blvd
Hewitt, Texas 76643
Phone: 254-857-8204 Fax: 254-857-9253
www.UTECEquip.com
www.ASPtruck.com

THIS DOCUMENT

