

AST trailer

UTLI41

INSULATED

UTLN41

NON-INSULATED

AERIAL SPLICING TRAILER



Working Height **43 ft 4 in (13.20m)***

Horizontal Reach **25 ft 4 in (7.77m)***

Basket Capacity **350 lbs (159kg)**

* dimensions vary according to model number and options



SPACIOUS 8 ft X 10 ft SPLICING LAB
6 ft X 6 in INTERIOR HEIGHT

Completely Integrated Aerial & Splicing Lab solution.

Pulled by your pickup.

Powered by HONDA EU 7000is inverter style generator.

HONDA
GENERATORS



1-888-765-3322



Utility Truck Equipment Co, L.L.C.

901 Enterprise Blvd

Hewitt, Texas 76643

Phone: 254-857-8204 Fax: 254-857-9253

www.UTECEquip.com

AST trailer

UTLI41 INSULATED

UTLN41 NON-INSULATED

AERIAL SPLICING TRAILER

SPECIFICATIONS

| | |
|-----------------|-------------|
| GVWR | 10,800 lbs |
| Trailer Weight | 8,500 lbs * |
| Trailer Payload | 2,300 lbs |
| Trailer Length | 21.4 ft |
| Tongue Weight | 1,500 lbs * |

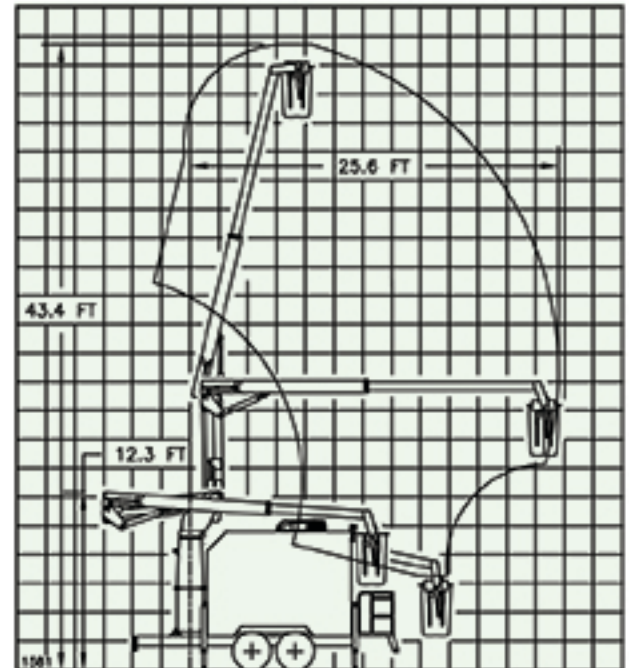
* approximate weight

SPLICING LAB

| | |
|---|--------------------|
| Interior Body Height | 6 ft 6 in (1.98 m) |
| Cargo Space of 483 cu/ft of Usable Space | |
| Full-Service Mobile Workshop w/Walk-In Height | |
| Insulation in Walls & Ceiling | |
| AC & Heat | |
| Full Length Splicing Table | |
| Splicing Doors (Qty 2) | |
| Full Height Drawer Set | |
| Cabinet Storage | |
| DOT Lighting | |
| Amber Strobes | |
| Exterior Work Lights | |
| Solar Maintainer for 12v Deep Cycle Battery | |

AERIAL SPECIFICATIONS

| | |
|---|----------------------|
| Horizontal Side Reach | 25 ft 6 in (7.77 m) |
| Height Bottom Basket* | 38 ft 4 in (11.4 m) |
| Working Height* | 43 ft 4 in (13.20 m) |
| Stowed Height* | 12 ft 6 in (3.81 m) |
| Standard Basket Capacity | 350 lbs (159 kg) |
| 540 Degree Rotation | |
| 24 VDC Powered Aerial - std. | |
| Electric Tool Outlet at Basket | |
| Emergency Lower 12 VDC | |
| Proportional Upper Controls w/ Single Handle Actuator | |
| Side Mounted Walk-Thru Basket w/ Door | |
| Lightweight Aluminum Inner Boom | |
| Hydraulic Leveling Basket | |
| Pedestal Riser Houses Hydraulic Reservoir and Batteries | |



UTLN35A meets and exceeds ANSI A92.2-2021 and OSHA Requirements

*Based on a 35in frame height

1-888-765-3322



Utility Truck Equipment C6 L.L.C.
901 Enterprise Blvd
Hewitt, Texas 76643
Phone: 254-857-8204 Fax: 254-857-9253
www.UTEQequip.com

THIS DOCUMENT

